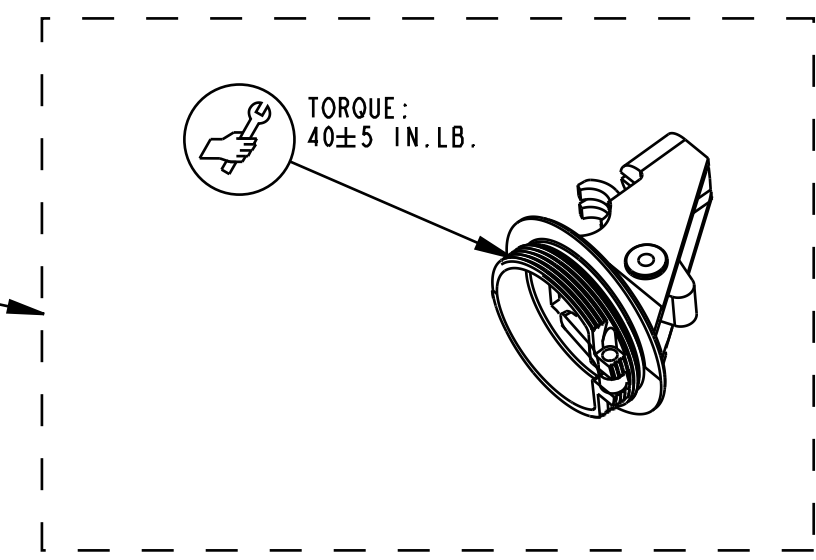
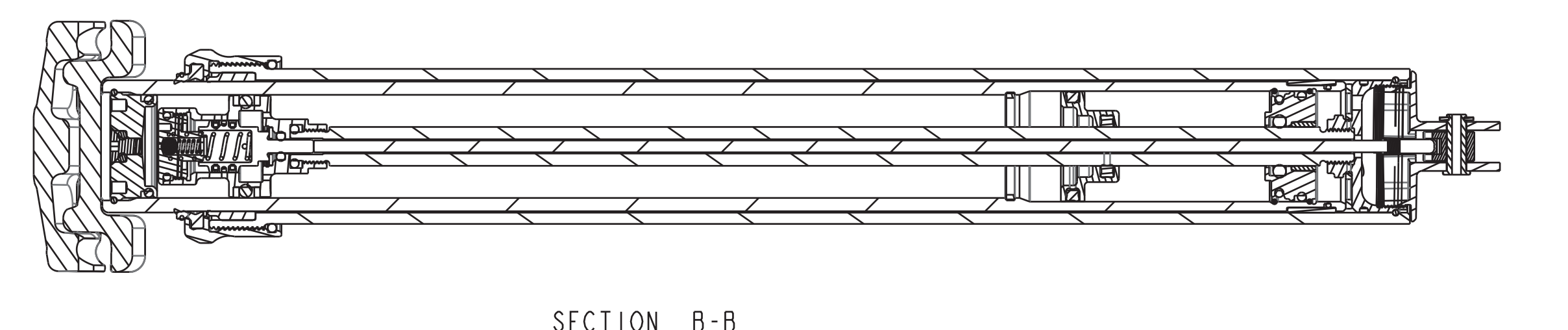
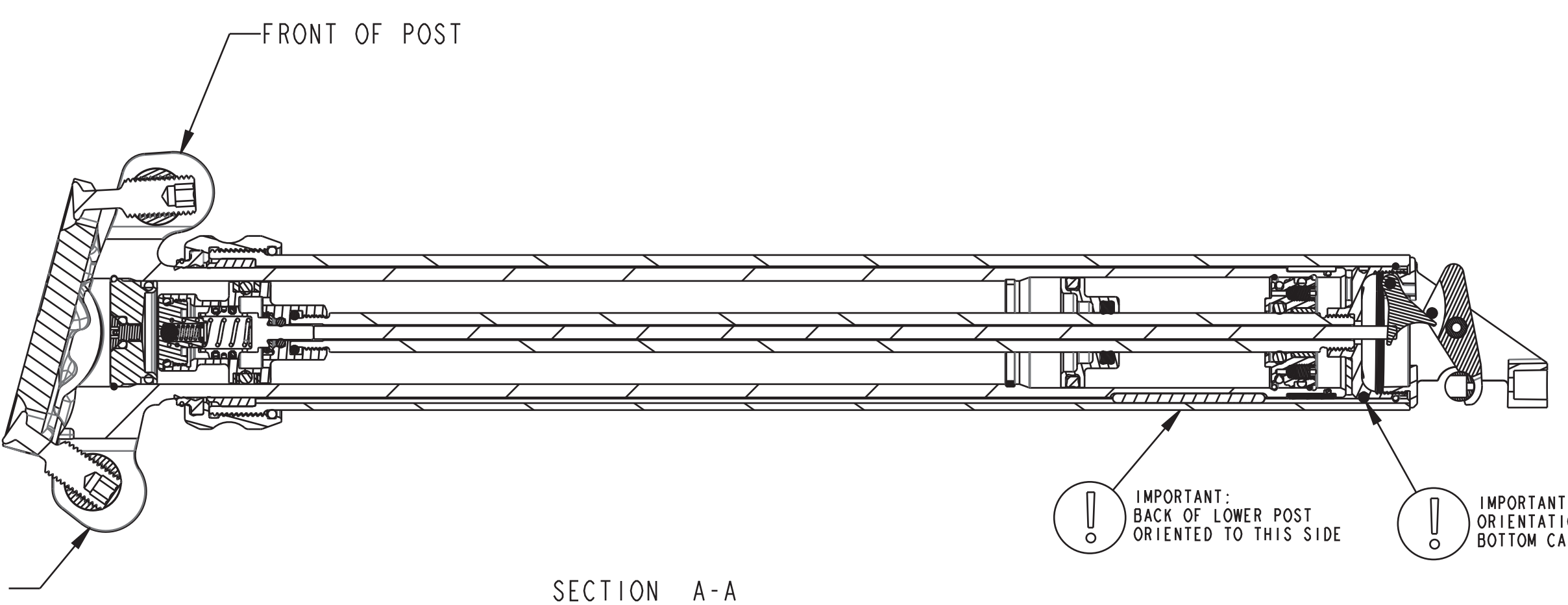
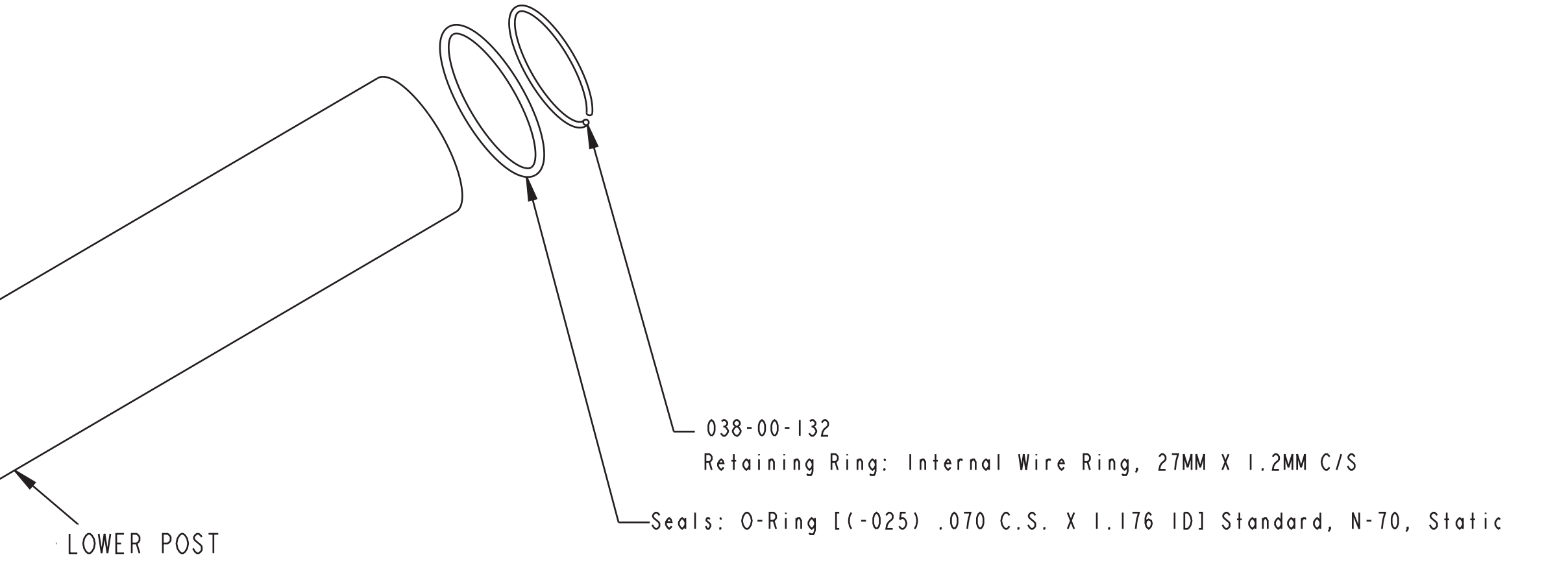


825-07-002-KIT
2018 Transfer, Internal, Die-Cast Bottom Cap Assy



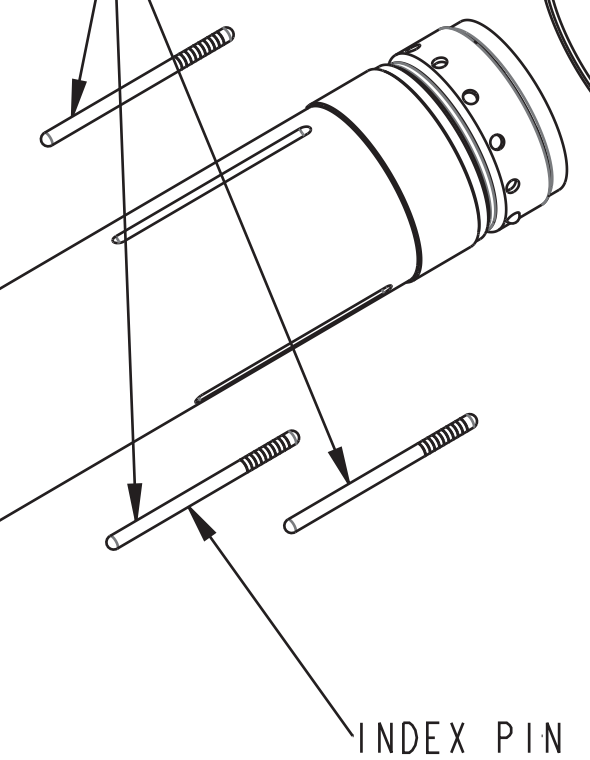
225-00-052
Bushing, Cable, Seat Post

038-00-132
Retaining Ring: Internal Wire Ring, 27MM X 1.2MM C/S
Seals: O-Ring [(-025) .070 C.S. X 1.176 ID] Standard, N-70, Static



IMPORTANT: BACK OF LOWER POST ORIENTED TO THIS SIDE
IMPORTANT: ORIENTATION OF BOTTOM CAP

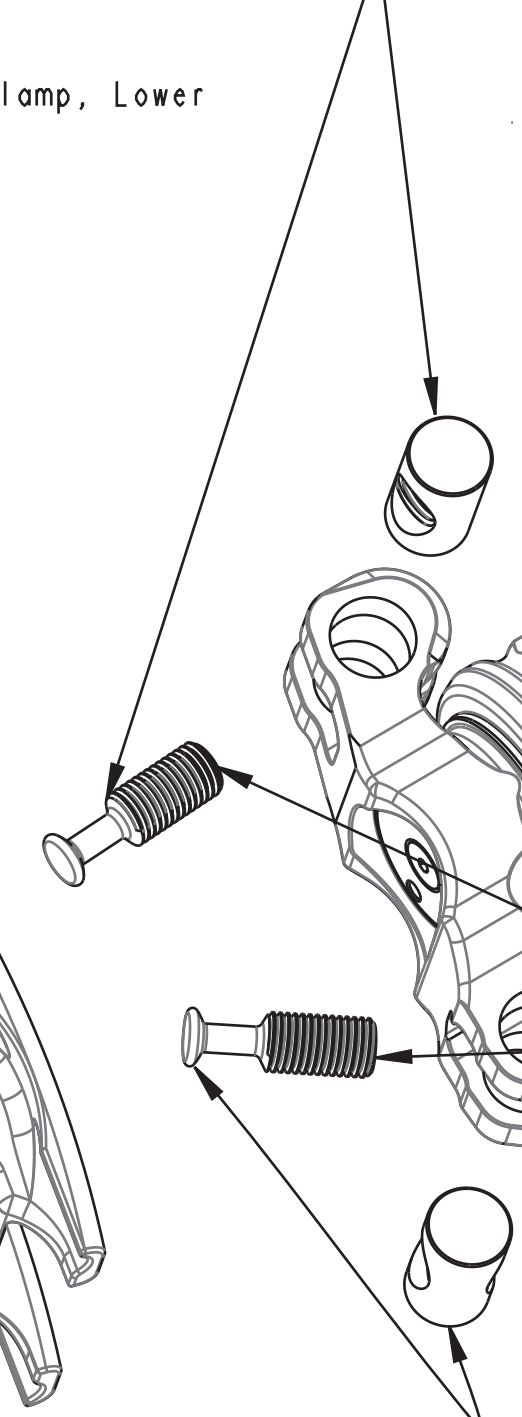
GREASE:
THIN LAYER
OF SLICK HONEY



803-01-563
Kit: 2021 Transfer Saddle Clamp Hardware: Bolt & Barrel Nut, Pair

TORQUE:
80±5 IN. LB.

TORQUE:
10 IN. LB.



225-00-226
2021 Transfer, Saddle Clamp, Lower

UPPER POST

INDEX PIN

803-01-563
Kit: 2021 Transfer Saddle Clamp Hardware: Bolt & Barrel Nut, Pair

UPPER CLAMPS:
225-00-468: 2021 Transfer, Saddle Clamp, Upper, CI
225-00-329: 2021 Transfer, Saddle Clamp, Upper, 9mm Oval Rails

PROPRIETARY - THIS DOCUMENT CONTAINS CONFIDENTIAL, PROPRIETARY INFORMATION THAT IS FOR PROPERTY. DO NOT DISCLOSE TO OR DUPLICATE FOR OTHERS EXCEPT AS AUTHORIZED BY FOX.

FOX Factory, Inc.
130 Hangar Way, Watsonville, CA 95076 USA
Ph 831-768-1100
Fax 831-768-9312

2021 TRANSFER SEATPOST

SIZE DWG. NO. D
PLOT SCALE 1:1

SHEET 1 OF 1